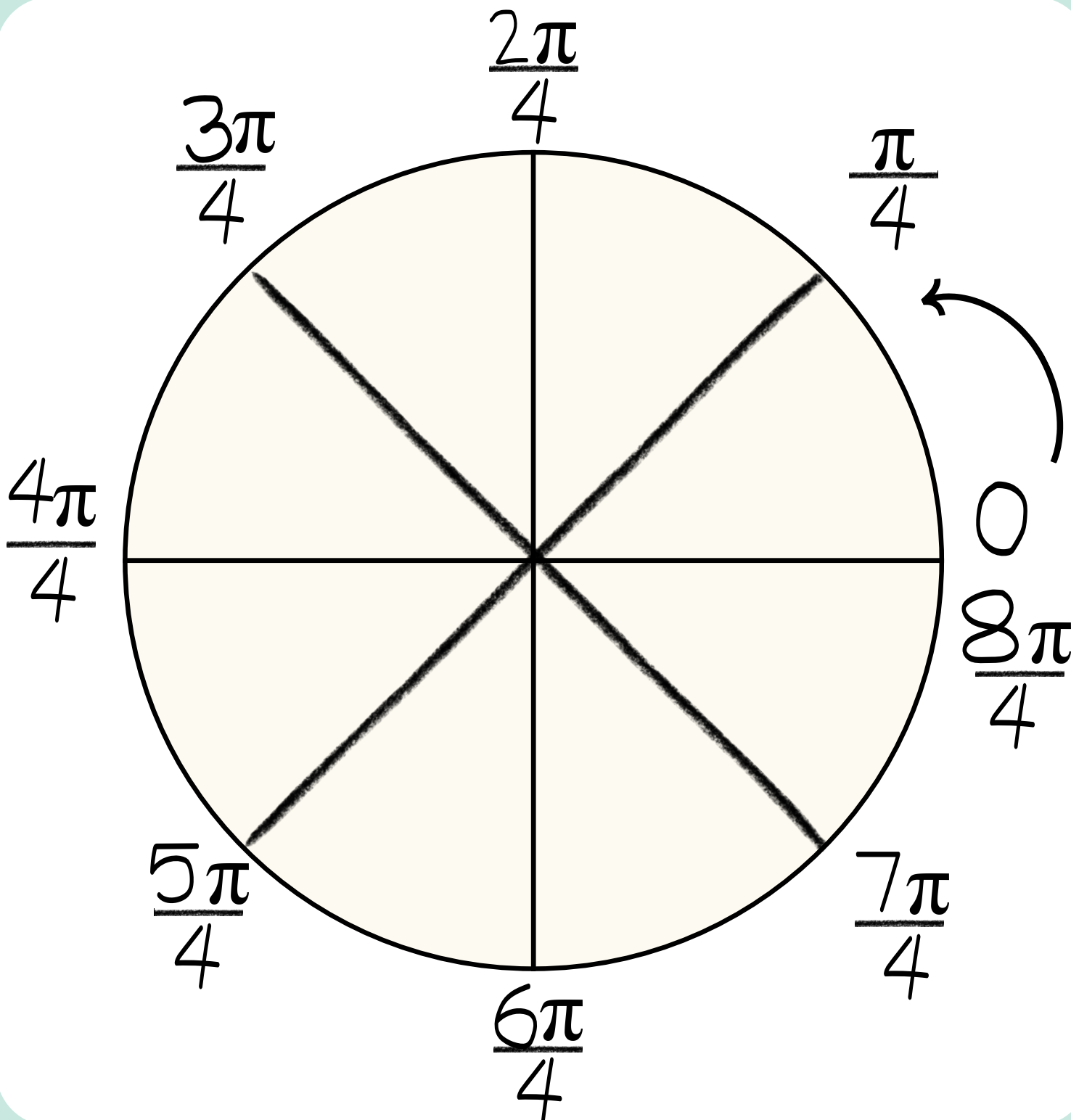


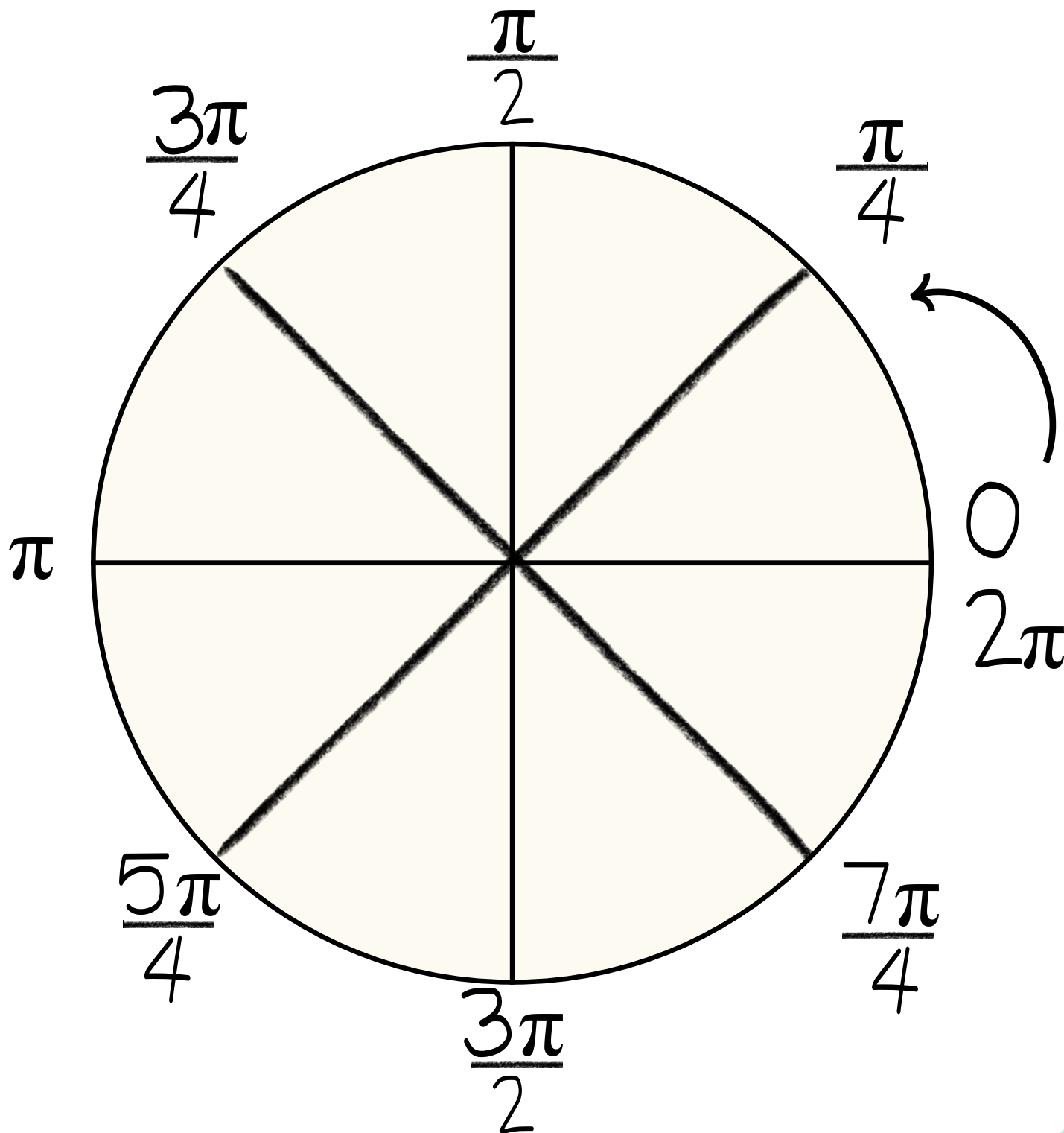
UNIT CIRCLE DIVIDED INTO FOURTHS

Count by $\frac{1}{4}$ From Zero, Counterclockwise



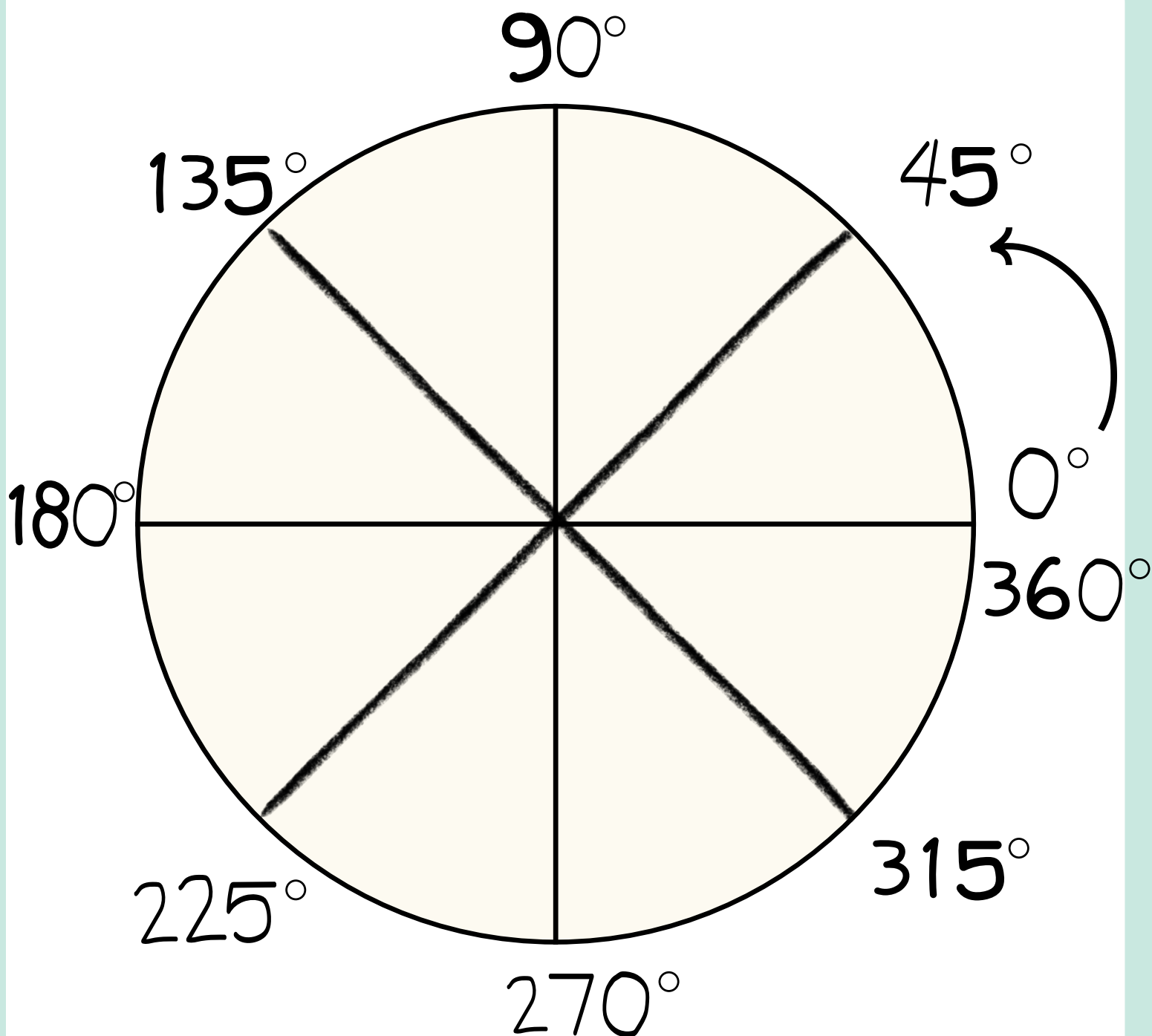
UNIT CIRCLE DIVIDED INTO FOURTHS

Simplified Form



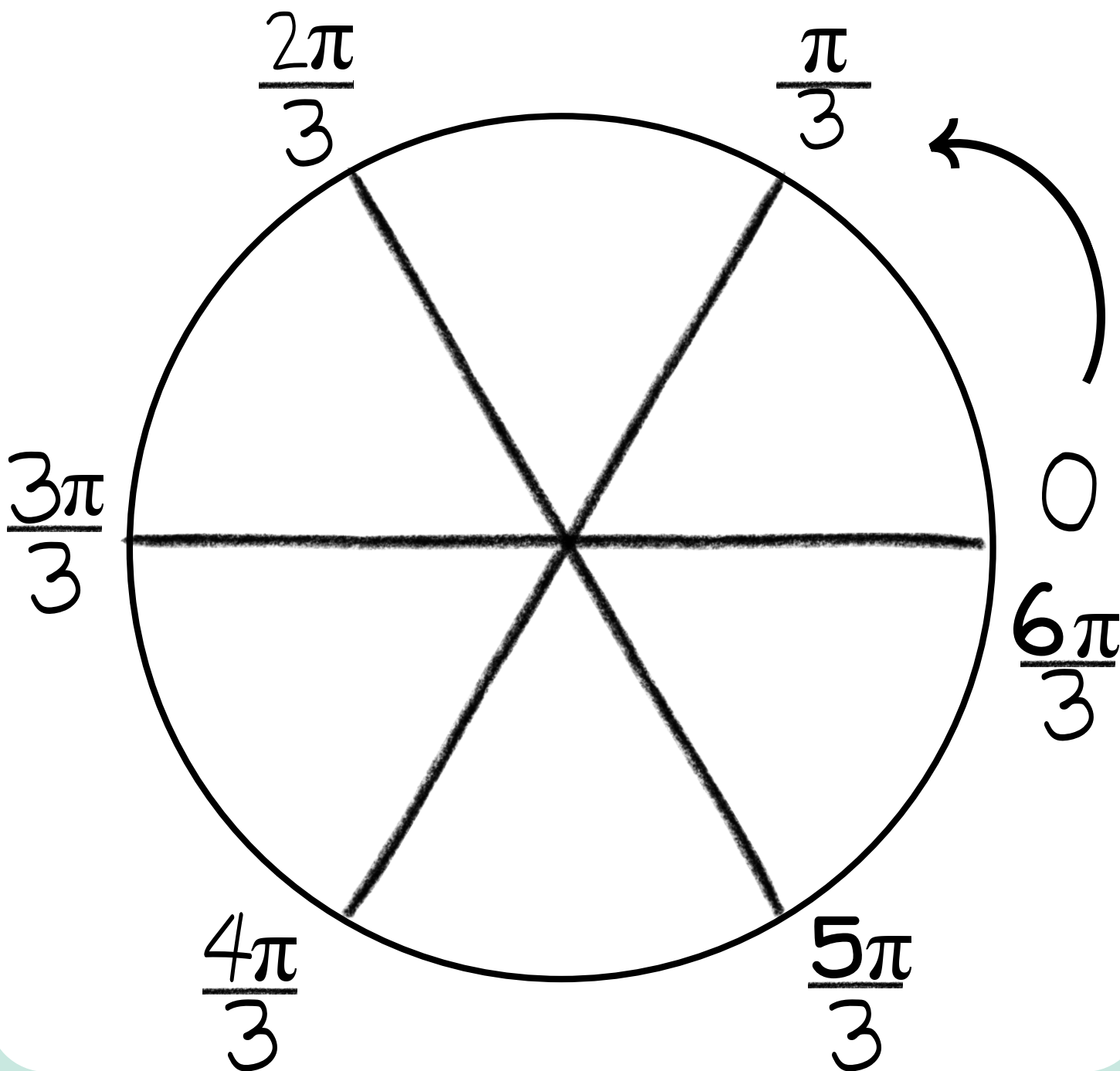
UNIT CIRCLE DIVIDED INTO FOURTHS

Degree Form: Add by 45 degrees counterclockwise, starting at zero.



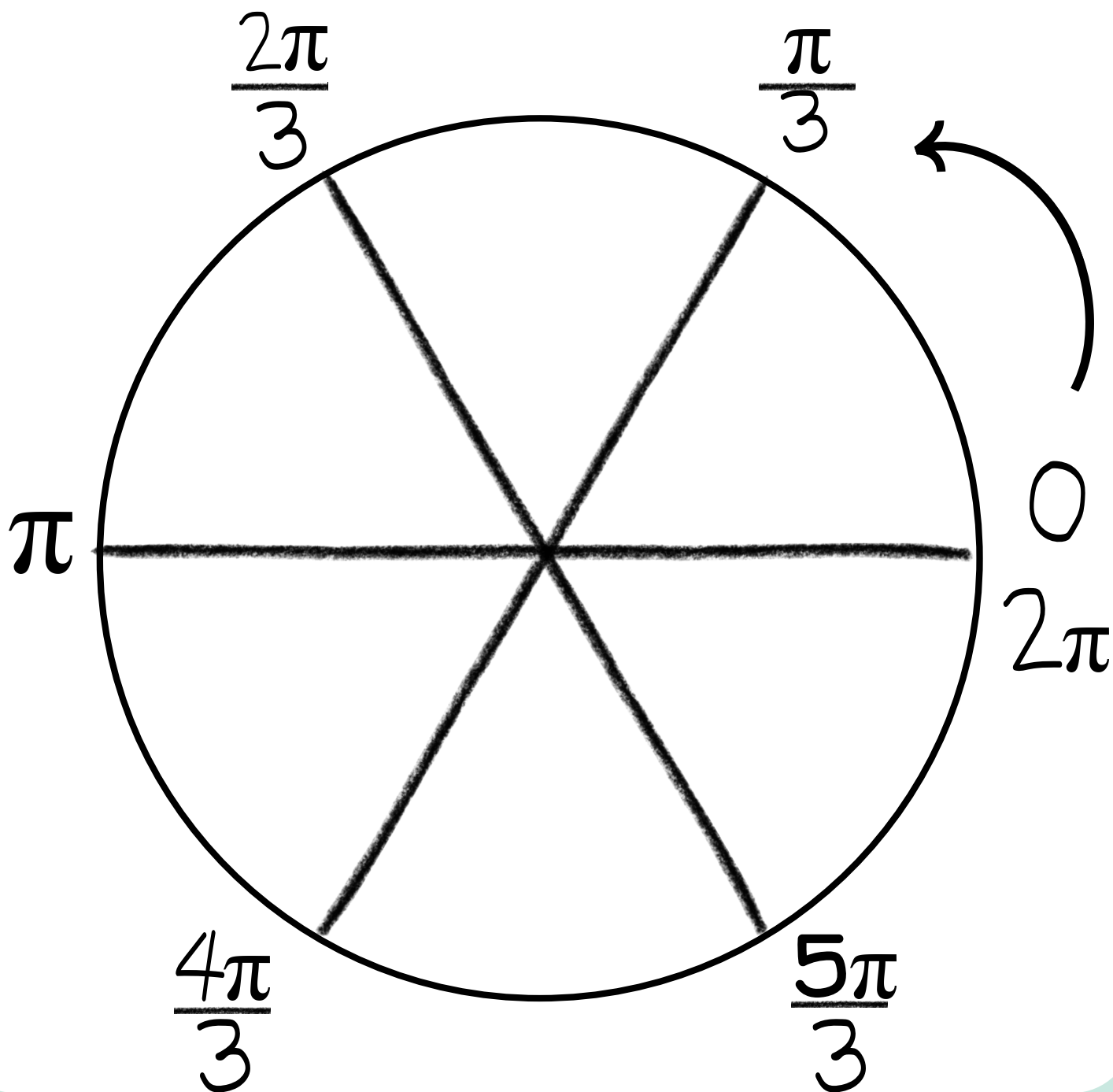
UNIT CIRCLE DIVIDED INTO THIRDS

Count by $\frac{1}{3}$ From Zero, Counterclockwise



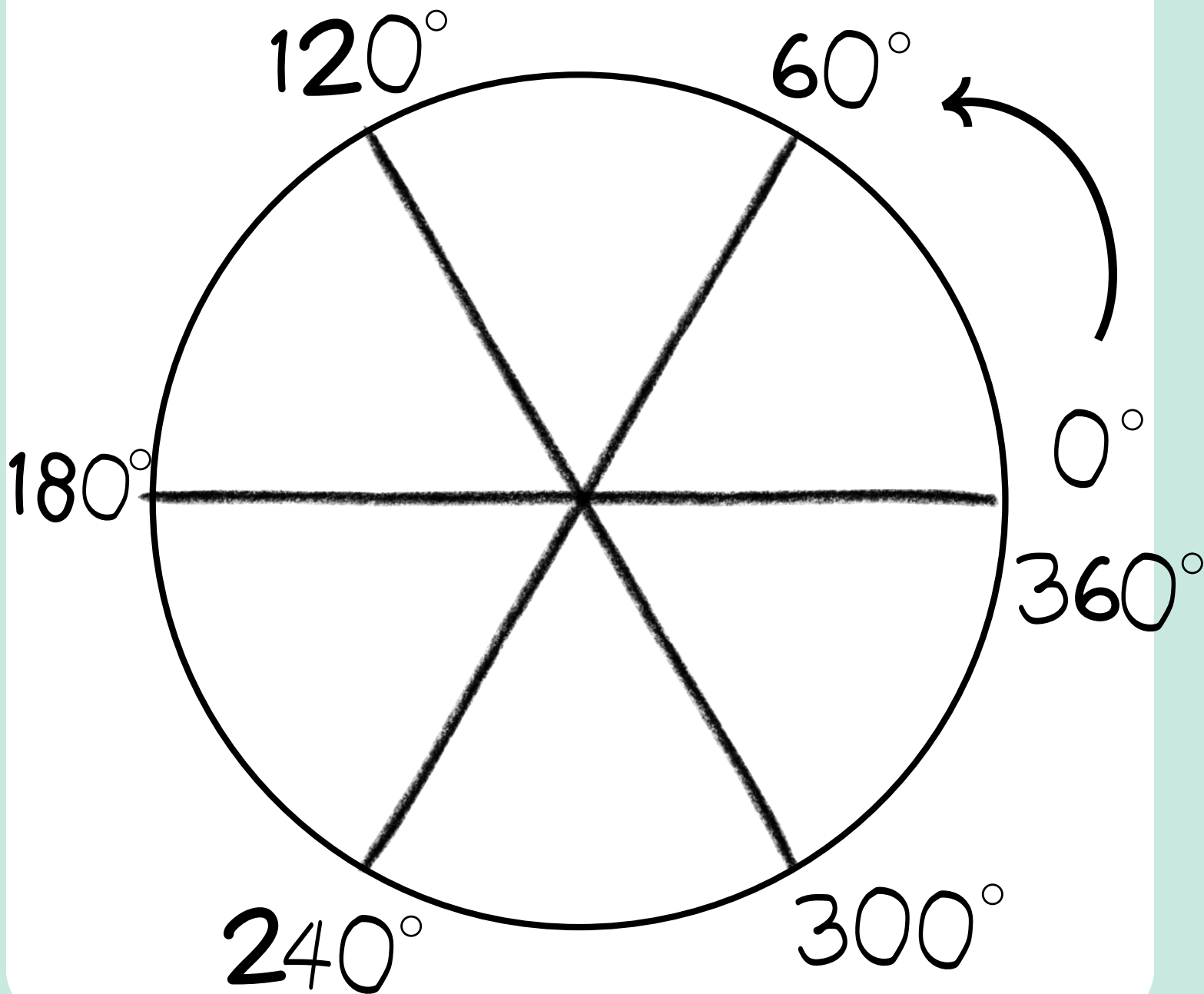
UNIT CIRCLE DIVIDED INTO THIRDS

Simplified Form



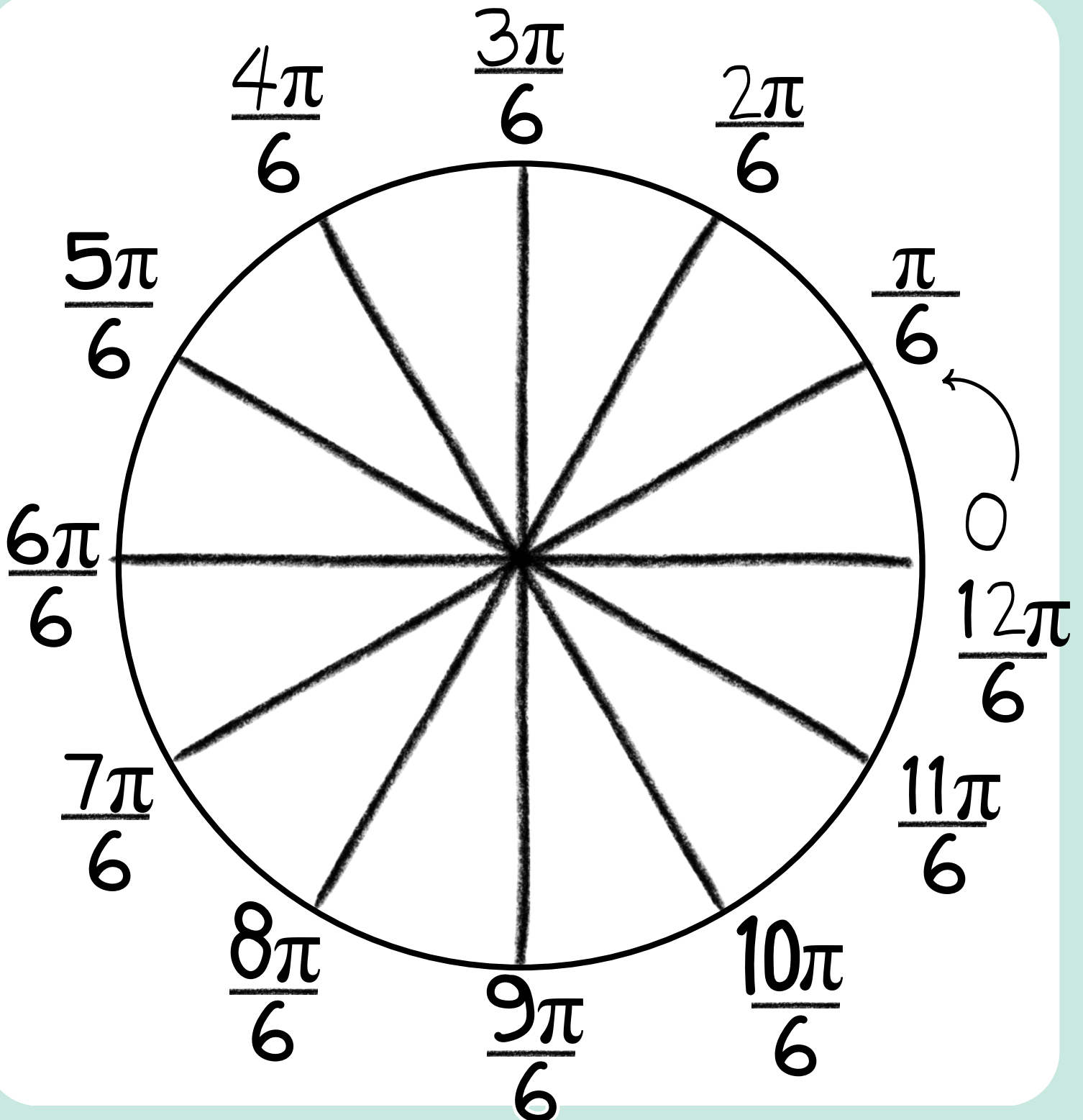
UNIT CIRCLE DIVIDED INTO THIRDS

Degree Form: Add by 60 degrees counterclockwise, starting at zero.



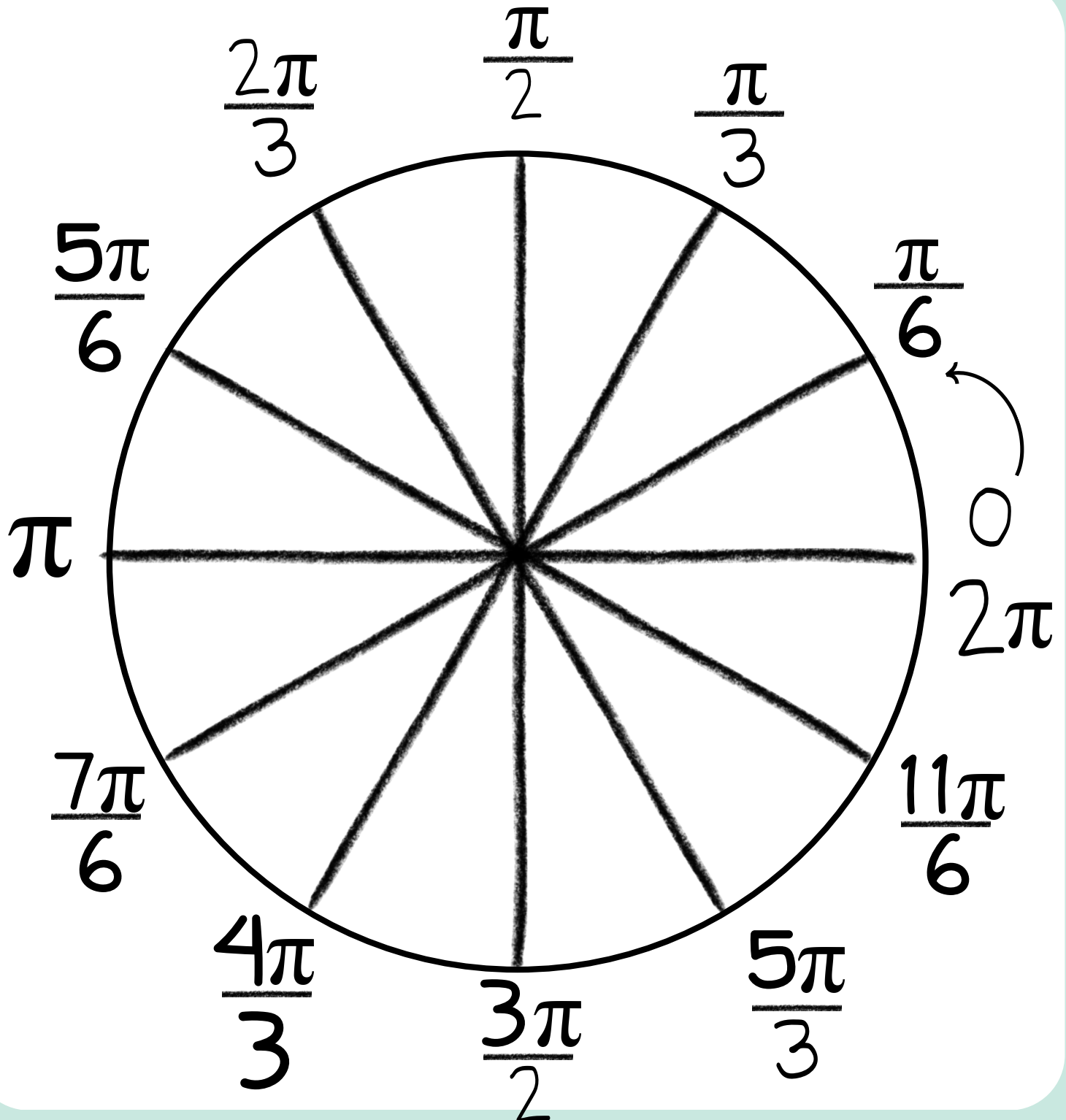
UNIT CIRCLE DIVIDED INTO SIXTHS

Count by $\frac{1}{6}$ From Zero, Counterclockwise



UNIT CIRCLE DIVIDED INTO SIXTHS

Simplified Form



UNIT CIRCLE DIVIDED INTO SIXTHS

Degree Form: Add by 60 degrees counterclockwise, starting at zero.

